

# 7030-01270 KIT

For: 4717 Frame Rails/4400 Bed Ends





(Scan for instructional video)

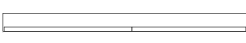



## Sedona Collection: Twin Contempo Bed

### PARTS LIST

#### BOX 1: 4400 Contempo Twin Ends

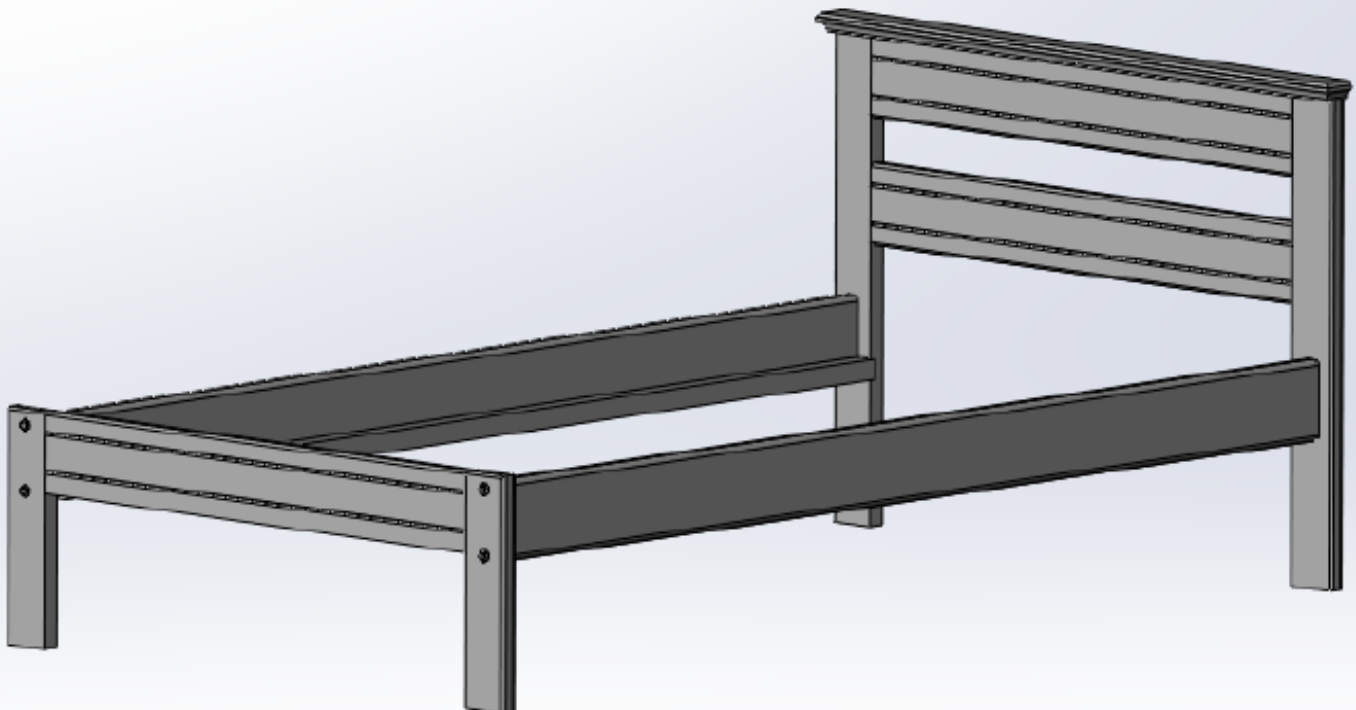
Part #	Picture	Description	Quantity
S0076END		Contempo Twin Headboard	1
S0077END		Contempo Full Footboard	1

#### BOX 2: 4717 Contempo Twin Frame

Part #	Picture	Description	Quantity
S1001SRL		5/4x6 Mattress Rail	2
149383/40		Twin Individual Slats	3
5040-43181		Hex Lag Bolt/Washer	8
5040-35410		#6 x 1 1/4 Phil Flat Slats Screw	10

Make sure you have all parts before beginning assembly. If you need a part, contact Living Spaces

## COMPLETED ASSEMBLY



## **TOOLS REQUIRED:**

- 1) 7/16" Wrench or Socket Wrench
- 2) Phillips Head Screwdriver

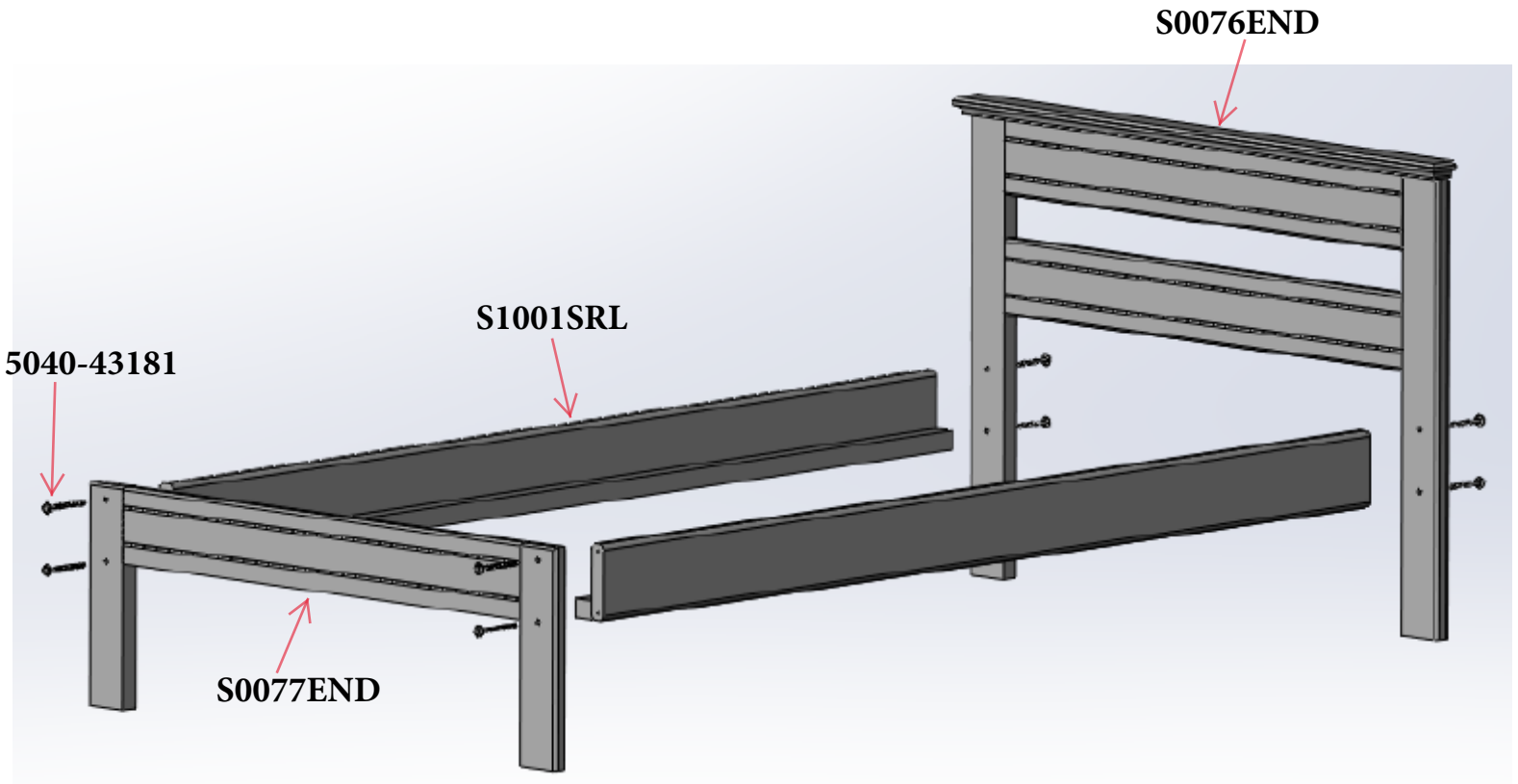
**NOTE:** Tool recommended: Electric driver with 7/16" socket

## **ASSEMBLY INSTRUCTIONS:**

### **NOTE:**

Make sure you have all parts before beginning assembly. If you need a part, contact the dealer where you purchased your bed.

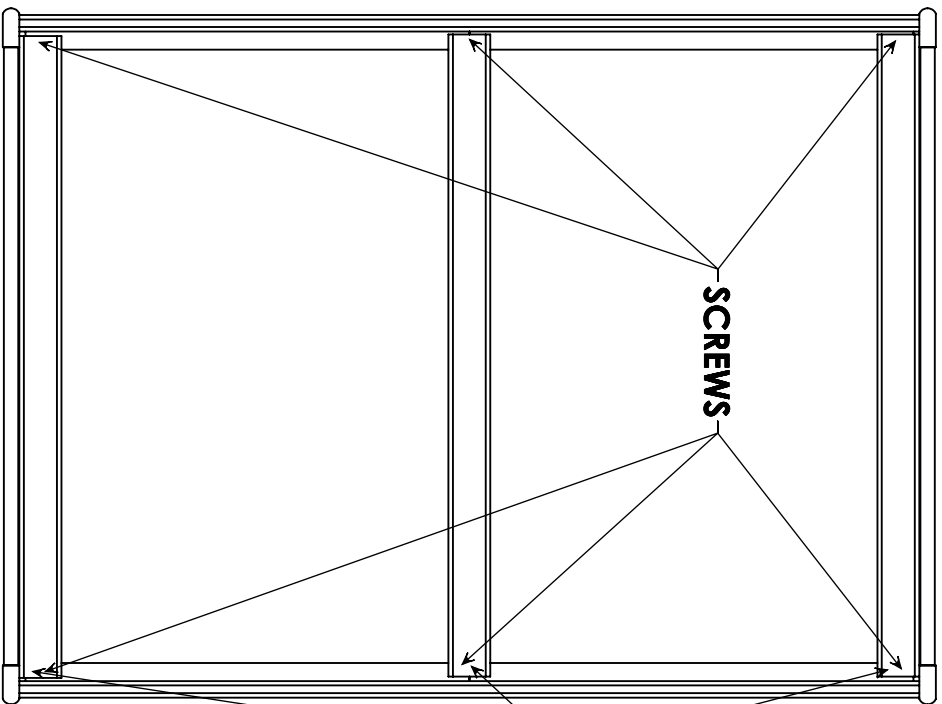
- 1) Attach two mattress rails(S1001SRL) to headboard assembly(S0076END) and footboard assembly(S0077END) with 8 lag bolts and 8 washers(5040-43181), and tighten.
- 2) Place slat kit (sold separately) and individual slats(140383/40) in accordance with the diagram on the last page of this instruction sheet. Attach the 5 designated slats to the mattress rail cleats using the #6x1 1/4" slat screws(5040-35410).



Scan Code for Instructional video



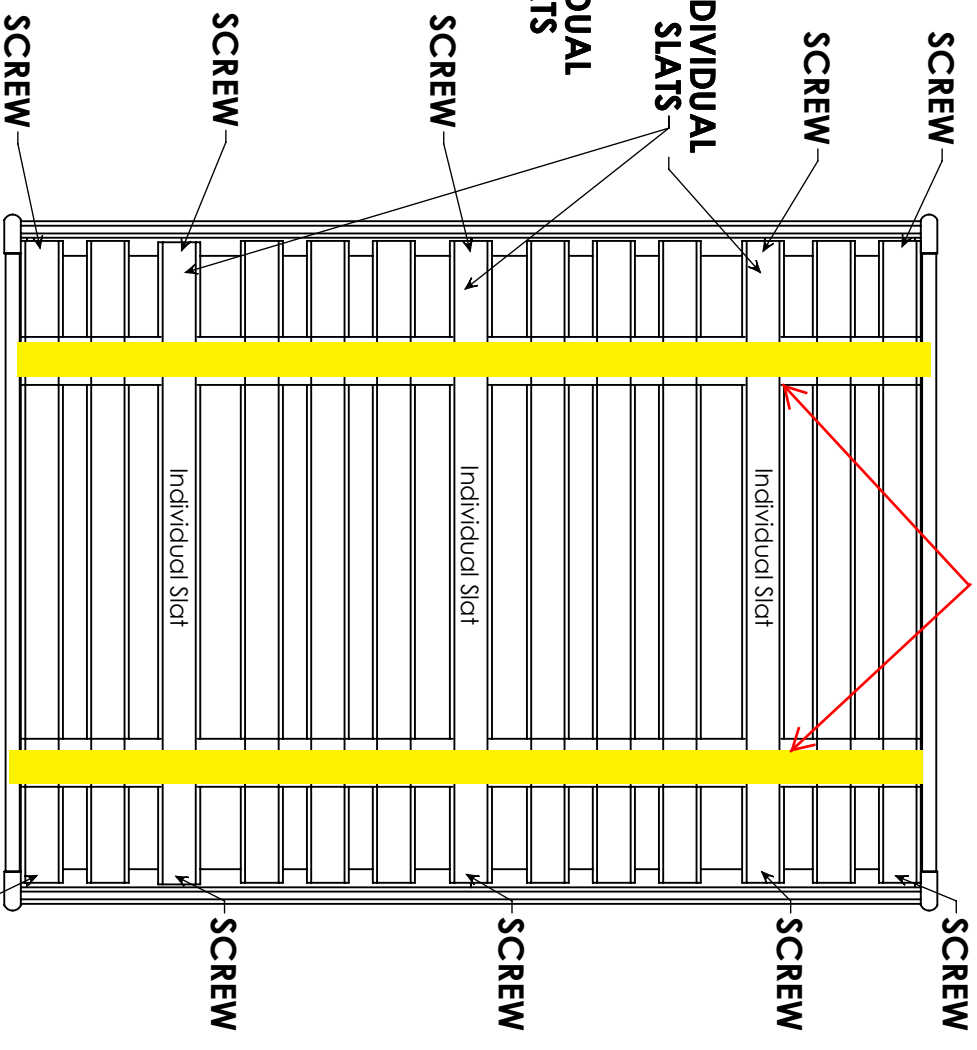
Diagram 1



Installation of individual slats for use with Bunkie Board (Bunkie Board sold separately) See your retailer for purchase of Bunkie Board

When used with a slot roll, the three individual slats should be placed evenly in the gaps and underneath the strapping before fastening.

Diagram 2



Installation of individual slats for use with Slot Roll (Slot roll sold separately) See your retailer for purchase of Slot Roll