

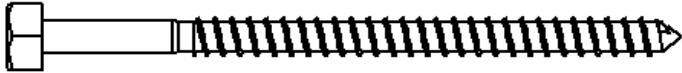




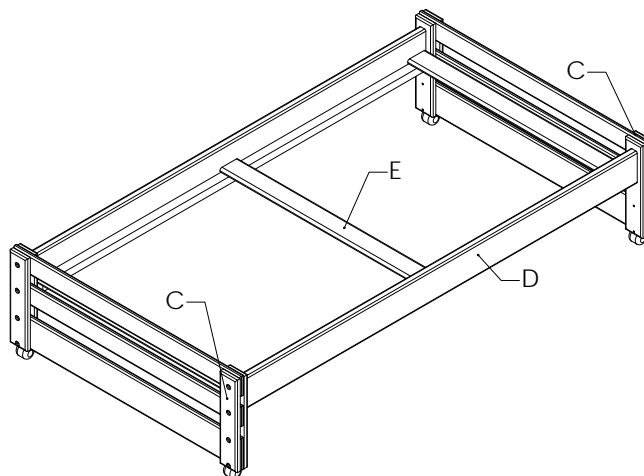
LIVING SPACES

# 7030-00165 KIT

<b><u>MAS90: 5043-43220</u></b>	
<b>7109TTW TWIN FRAME HARDWARE</b>	
<b><u>QTY:</u></b>	<b><u>DESCRIPTION:</u></b>
8	1/4 X 4 HEX LAG BLK
8	3/16 USS FL WASHER BLK
10	6 X 1 1/4 PHIL FLAT PARTICLE BOARD SCREW

	<b>LAG BOLT</b>
	<b>WASHER</b>
	<b>PHIL FLAT PARTICLE BOARD SCREW</b>



**PARTS LIST:**

- A) 8 -4 1/4" Lag Bolts
- B) 8 -Black Steel Washers
- C) 2 -End Assemblies
- D) 2 -5 1/4" x 75" Mattress Rails w/Support Cleats
- E) 3 -3 1/2" x 38 3/4" Mattress Supports
- F) 10 -1 1/4" Wood Screws
- G) 4 -Casters with 4 plastic inserts

**TOOLS REQUIRED:**

- 1) 7/16" Wrench or Socket Wrench
- 2) Phillips Head Screwdriver

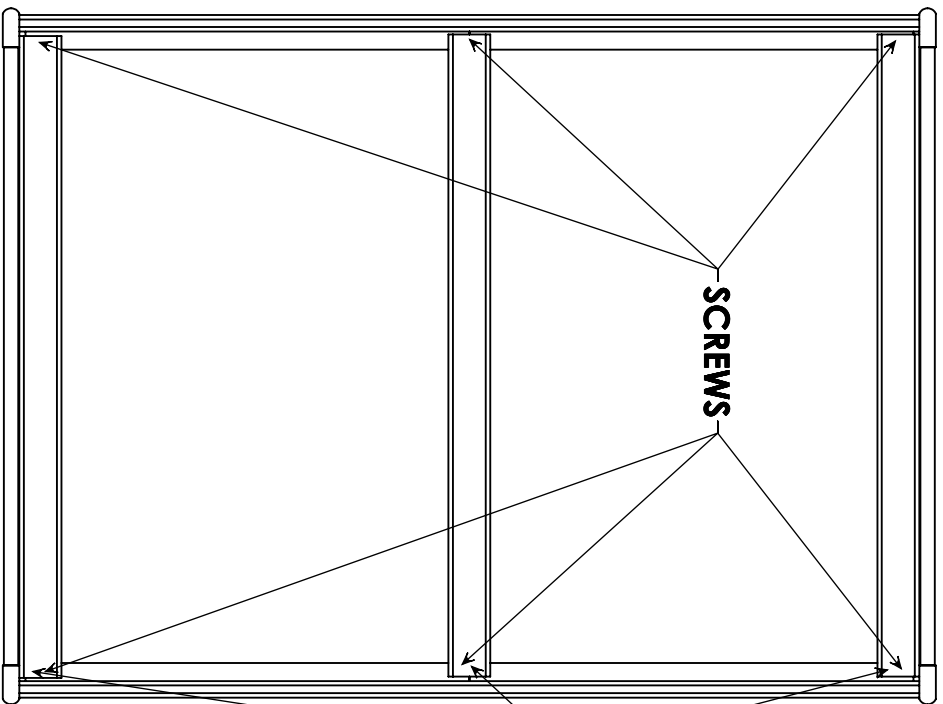
Recommended: Electric driver with 7/16" socket

\*\*\*NOTE: CASTERS HAVE INSERTS WHICH MUST BE DRIVEN FLUSH WITH THE HOLES DRILLED, BEFORE THE CASTERS ARE INSERTED. ATTEMPTING TO DRIVE THE INSERTS IN WITH THE CASTER WHEELS MAY RESULT IN DAMAGE TO THE WHEELS

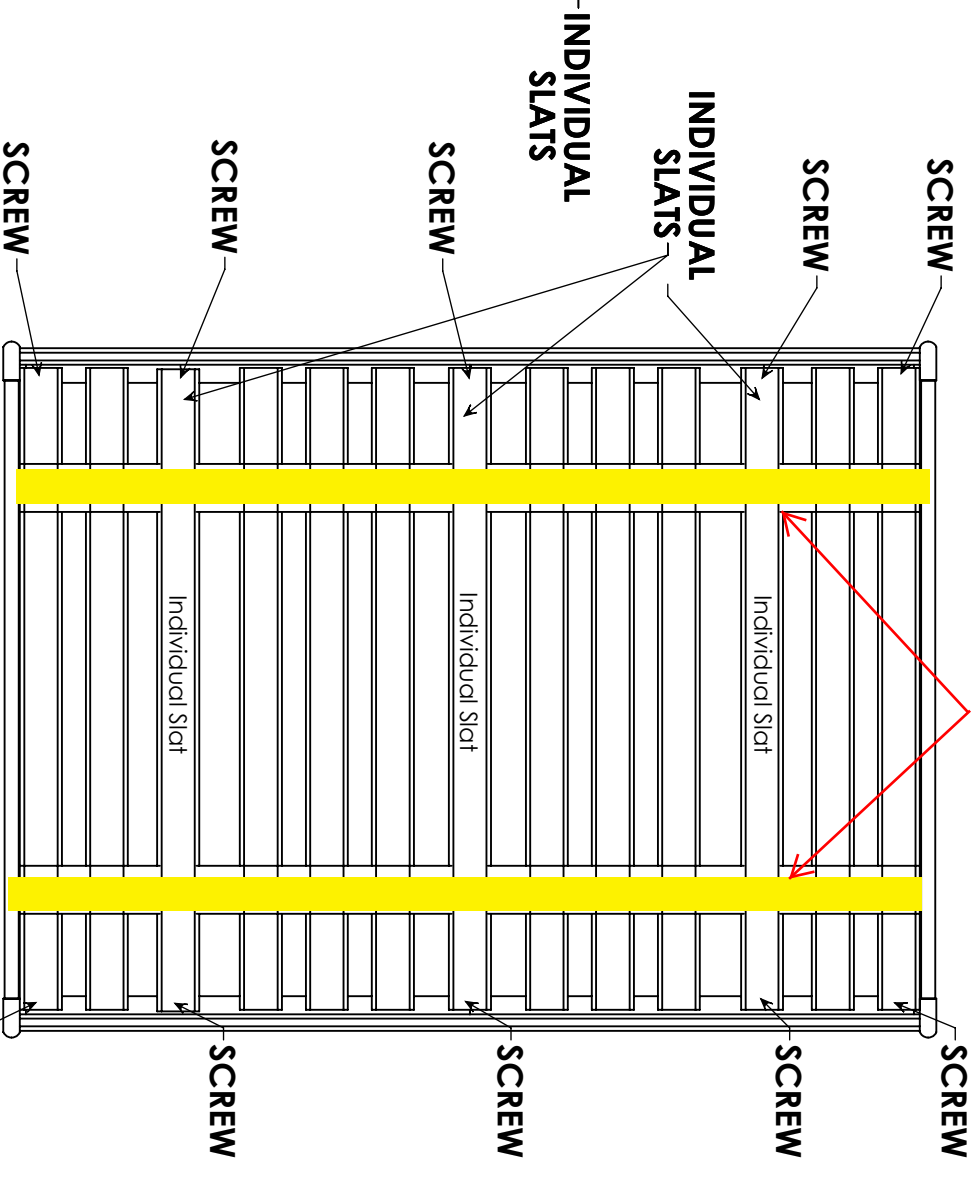
**Make sure you have all parts before beginning assembly. If you need a part, contact Living Spaces.**

- 1) Attach two mattress rails (D) to end assemblies(C) with 8 lag bolts and 8 washers, and tighten. The height of the mattress rails is adjustable.
- 2) **Roll out Slat Kit and stretch from end to end. Secure with 4 wood screws, on the ends of each of the outermost slats, one in each corner of the bed. Center 3 individual slats in the 3 gaps built into the Slat kit and secure with 6 wood screws, one at each end of the individual slats.**
- 3) Seat caster inserts fully in bottom of end assemblies, and snap casters in place by pressing the metal posts into the plastic inserts in the bottom of ends.
- 4) Add mattress and sleep well!

When used with a slot roll, the three individual slats should be placed evenly in the gaps and underneath the strapping before fastening.



Installation of individual slats for use with Bunkie Board  
(Bunkie Board sold separately)  
See your retailer for purchase of Bunkie Board



Installation of individual slats for use with Slot Roll  
(Slot roll sold separately)  
See your retailer for purchase of Slot Roll